

# BALTIC JUDO CHAMPIONSHIPS 28.01.2023. Rīga U18 M-90

Competitors A

Competitors: 6

| # | Name              | Club                    | 1  | 2 | 3  | Wins | Pts | Pos |
|---|-------------------|-------------------------|----|---|----|------|-----|-----|
| 1 | Andris ORG        | EST/Judoklubi Samurai   |    |   | 10 | 1    | 10  | 2   |
| 2 | Rokas RAPKEVIČIUS | LTU/Ristis R.Sargūno g. | 10 |   | 10 | 2    | 20  | 1   |
| 3 | Artjoms AVDEVIČS  | LAT/Jelgavas BJSS       |    |   |    | 0    | 0   | 3   |

## Matches A

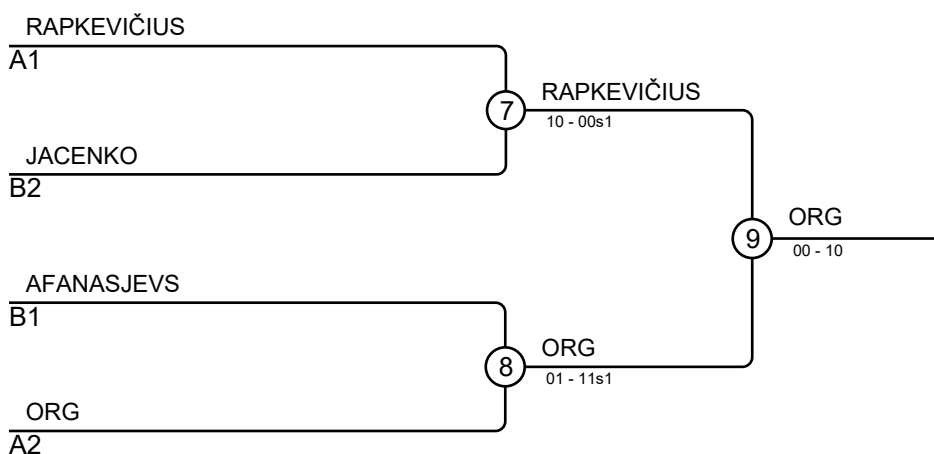
| Match | White             | Blue              | Result    | Time |
|-------|-------------------|-------------------|-----------|------|
| 1     | Andris ORG        | Rokas RAPKEVIČIUS | 01s1-10s1 | 3:32 |
| 3     | Andris ORG        | Artjoms AVDEVIČS  | 10-00     | 0:16 |
| 5     | Rokas RAPKEVIČIUS | Artjoms AVDEVIČS  | 10-00     | 0:15 |

## Competitors B

| # | Name              | Club       | 4  | 5 | 6  | Wins | Pts | Pos |
|---|-------------------|------------|----|---|----|------|-----|-----|
| 4 | Artūrs JACENKO    | LAT/Satori |    |   | 10 | 1    | 10  | 2   |
| 5 | Ņikita AFANASJEVS | LAT/Kyodai | 10 |   | 10 | 2    | 20  | 1   |
| 6 | Huko Pärtel USIN  | EST/Barra  |    |   |    | 0    | 0   | 3   |

## Matches B

| Match | White             | Blue              | Result  | Time |
|-------|-------------------|-------------------|---------|------|
| 2     | Artūrs JACENKO    | Ņikita AFANASJEVS | 00s1-10 | 2:39 |
| 4     | Artūrs JACENKO    | Huko Pärtel USIN  | 10-00s2 | 3:00 |
| 6     | Ņikita AFANASJEVS | Huko Pärtel USIN  | 10-00s1 | 0:29 |



## Results

| Pos | Name                                       |
|-----|--|
| 1   | Andris ORG, EST/Judoklubi Samurai          |
| 2   | Rokas RAPKEVIČIUS, LTU/Ristis R.Sargūno g. |
| 3   | Artūrs JACENKO, LAT/Satori                 |
| 3   | Ņikita AFANASJEVS, LAT/Kyodai              |