

Kyodai 2019 4/5. MAY U16 z -81 kg

Competitors A

Competitors: 7

#	Name	Club	1	2	3	4	Wins	Pts	Pos
1	Nikita VINOGRADOVS	Jelgavas BJSS					0	0	4
2	Vladimir GOLYSHEV	Borec Moscow	10				1	10	3
3	Kiril VOLKOV	Grecicho fight team	10	10		10	3	30	1
4	Nikita ANDRIIETS	Нежин ҚДЮСШ СК Спарта	10	10			2	20	2

Matches A

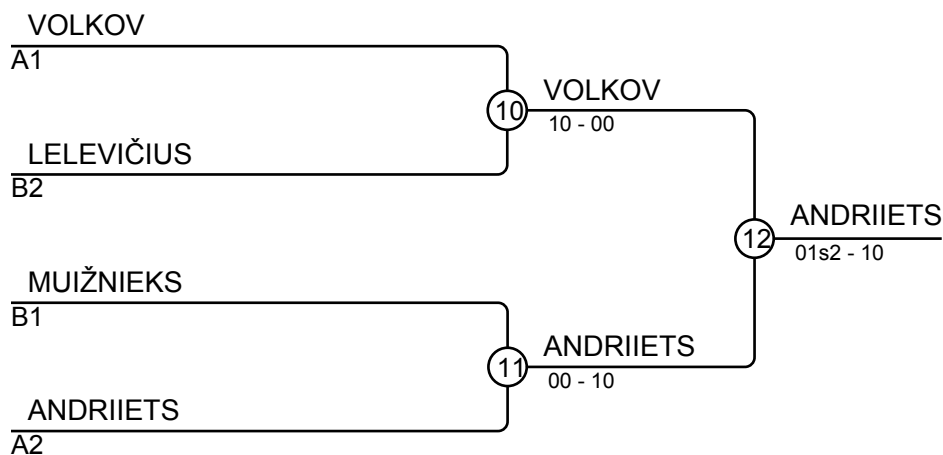
Match	White	Blue	Result	Time
1	Nikita VINOGRADOVS 1 2	Vladimir GOLYSHEV	00-10	0:22
2	Kiril VOLKOV 3 4	Nikita ANDRIIETS	10s1-00	3:42
4	Nikita VINOGRADOVS 1 3	Kiril VOLKOV	00-10	0:09
5	Vladimir GOLYSHEV 2 4	Nikita ANDRIIETS	00s1-10	2:11
7	Nikita VINOGRADOVS 1 4	Nikita ANDRIIETS	00-10	0:20
8	Vladimir GOLYSHEV 2 3	Kiril VOLKOV	00-10	1:14

Competitors B

#	Name	Club	5	6	7	Wins	Pts	Pos
5	Rodrigo Rois POLIS	Ādažu BJSS				0	0	3
6	Ričards MUIŽNIEKS	Kyodai	10		10	2	20	1
7	Lukas LELEVIČIUS	Giri JC Pasvalys	10			1	10	2

Matches B

Match	White	Blue	Result	Time
3	Rodrigo Rois POLIS 5 6	Ričards MUIŽNIEKS	00s1-10s1	1:23
6	Rodrigo Rois POLIS 5 7	Lukas LELEVIČIUS	00-10	1:13
9	Ričards MUIŽNIEKS 6 7	Lukas LELEVIČIUS	11-00	0:37



Results

Pos	Name
1	Nikita ANDRIIETS, Нежин ҚДЮСШ СК Спарта
2	Kiril VOLKOV, Grecicho fight team
3	Lukas LELEVIČIUS, Giri JC Pasvalys
3	Ričards MUIŽNIEKS, Kyodai