

ALŪKSNE 2016 17/18-DEC E U14 m -44 kg

Competitors: 7

Competitors A

#	Name	Club	1	2	3	4	Wins	Pts	Pos
1	Zanda ALLIKA	LAT/Alūksnes BJSS					0	0	4
2	Anna Liisa NURM	EST/Tartu Do	10		10	7	3	27	1
3	Daniela ŠADUROVA	LAT/Singitaj	10				1	10	3
4	Anhelina PIATSURA	BLR/Gomeļa raj. BJSS	10		10		2	20	2

Matches A

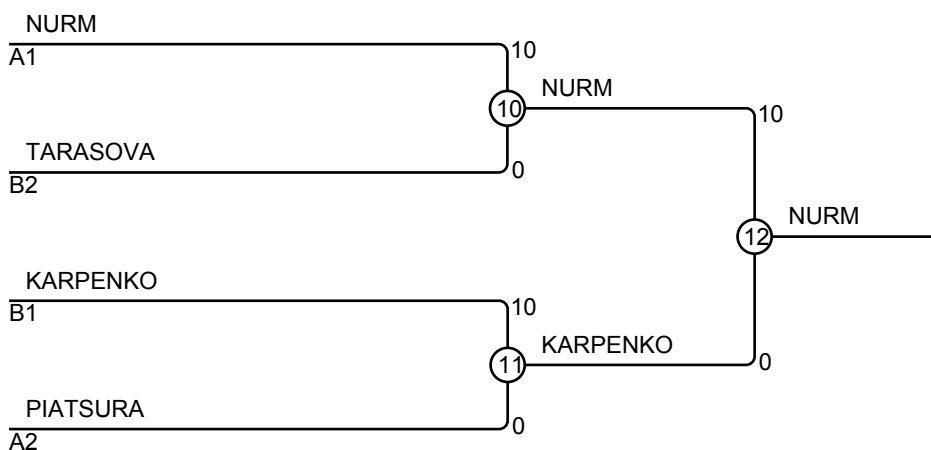
Match	White	Blue	Result	Time
1	Zanda ALLIKA	1 2 Anna Liisa NURM	0 - 10	0:13
2	Daniela ŠADUROVA	3 4 Anhelina PIATSURA	0 - 10	0:57
4	Zanda ALLIKA	1 3 Daniela ŠADUROVA	0 - 10	1:10
5	Anna Liisa NURM	2 4 Anhelina PIATSURA	7 - 0	3:00
7	Zanda ALLIKA	1 4 Anhelina PIATSURA	0 - 10	0:03
8	Anna Liisa NURM	2 3 Daniela ŠADUROVA	10 - 0	1:07

Competitors B

#	Name	Club	5	6	7	Wins	Pts	Pos
5	Kristina KARPENKO	EST/Bufen-do		5	10	2	15	1
6	Aleksandra TARASOVA	RUS/Tver			10	1	10	2
7	Žanete JĀŅKALNE	LAT/Alūksnes BJSS				0	0	3

Matches B

Match	White	Blue	Result	Time
3	Kristina KARPENKO	5 6 Aleksandra TARASOVA	5 - 0	3:00
6	Kristina KARPENKO	5 7 Žanete JĀŅKALNE	10 - 0	0:05
9	Aleksandra TARASOVA	6 7 Žanete JĀŅKALNE	10 - 0	0:32



Results

Pos	Name
1	Anna Liisa NURM, EST/Tartu Do
2	Kristina KARPENKO, EST/Bufen-do
3	Aleksandra TARASOVA, RUS/Tver
3	Anhelina PIATSURA, BLR/Gomeļa raj. BJSS