

# LIDO 2016 5-NOV Rīga G U15 z -60 kg

Competitors: 6

## Competitors A

#	Name	Club	1	2	3	Wins	Pts	Pos
1	Arturs GREBEŽS	LAT/Lido				0	0	3
2	Marks SUTIKA	LAT/Jelgavas BJSS	1		10	2	11	1
3	Dmitrijs ČERNOBROVKINS	LAT/Bosko	10			1	10	2

## Matches A

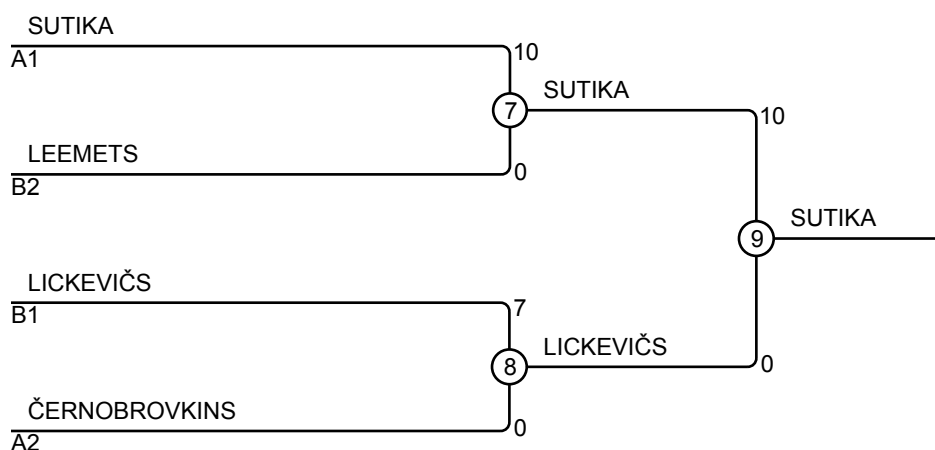
Match	White	Blue	Result	Time
1	Arturs GREBEŽS 1	Marks SUTIKA 2	0 - 1	3:00
3	Arturs GREBEŽS 1	Dmitrijs ČERNOBROVKINS 3	0 - 10	0:56
5	Marks SUTIKA 2	Dmitrijs ČERNOBROVKINS 3	10 - 0	3:00

## Competitors B

#	Name	Club	4	5	6	Wins	Pts	Pos
4	Laur LEEMETS	EST/Toni Judokool			10	1	10	2
5	Oto Aleksandrs LICKEVIČS	LAT/V.Bondarenko DS	7		10	2	17	1
6	Ņikita BILINČUKS	LAT/Alūksnes BJSS				0	0	3

## Matches B

Match	White	Blue	Result	Time
2	Laur LEEMETS 4	Oto Aleksandrs LICKEVIČS 5	0 - 7	3:00
4	Laur LEEMETS 4	Ņikita BILINČUKS 6	10 - 0	1:57
6	Oto Aleksandrs LICKEVIČS 5	Ņikita BILINČUKS 6	10 - 0	0:25



## Results

Pos	Name
1	Marks SUTIKA, LAT/Jelgavas BJSS
2	Oto Aleksandrs LICKEVIČS, LAT/V.Bondarenko DS
3	Laur LEEMETS, EST/Toni Judokool
3	Dmitrijs ČERNOBROVKINS, LAT/Bosko