

2016 Džudo olimpiskās cerības 19.03 Jelgava CU10 -29 kg

Competitors: 6

Competitors A

#	Name	Grade	Club	1	2	3	Wins	Pts	Pos
1	Ariss NIKOLAEVS	5.kyu	Makkabi		7		1	7	2
2	Jaromirs MUSIJENKO	6.kyu	Dinamo LAT				0	0	3
3	Maksims ROMANOVVS	6.kyu	Jelgavas BJSS	10	10		2	20	1

Matches A

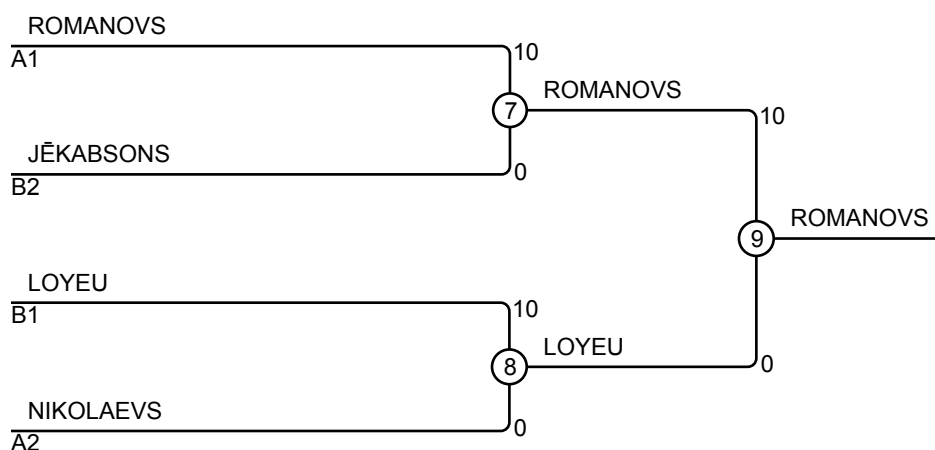
Match	White	Blue	Result	Time
1	Ariss NIKOLAEVS	Jaromirs MUSIJENKO	7 - 0	0:00
3	Ariss NIKOLAEVS	Maksims ROMANOVVS	0 - 10	0:00
5	Jaromirs MUSIJENKO	Maksims ROMANOVVS	0 - 10	0:00

Competitors B

#	Name	Grade	Club	4	5	6	Wins	Pts	Pos
4	Kirils SMIRNOVS	6.kyu	Jelgavas BJSS				0	0	3
5	Bruno JĒKABSONS	6.kyu	Saldus	10			1	10	2
6	Ihar LOYEU	5.kyu	Гомсельмаш	10	10		2	20	1

Matches B

Match	White	Blue	Result	Time
2	Kirils SMIRNOVS	Bruno JĒKABSONS	0 - 10	0:00
4	Kirils SMIRNOVS	Ihar LOYEU	0 - 10	0:00
6	Bruno JĒKABSONS	Ihar LOYEU	0 - 10	0:00



Results

Pos	Name
1	Maksims ROMANOVVS, Jelgavas BJSS
2	Ihar LOYEU, Гомсельмаш
3	Bruno JĒKABSONS, Saldus
3	Ariss NIKOLAEVS, Makkabi